



NEXION™

Keyless Entry Lockset

PROGRAMMING OF FOBS

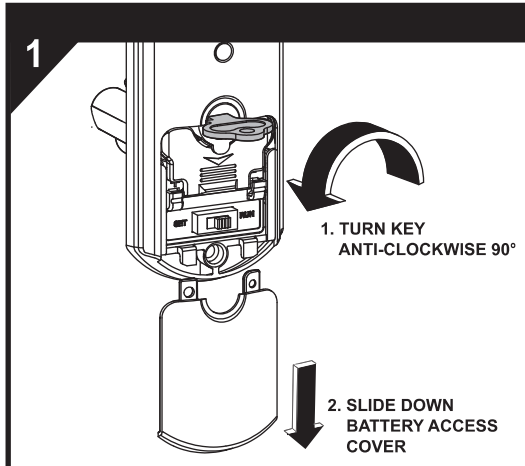


Your Lockset needs to be reprogrammed to add your new Q-Key

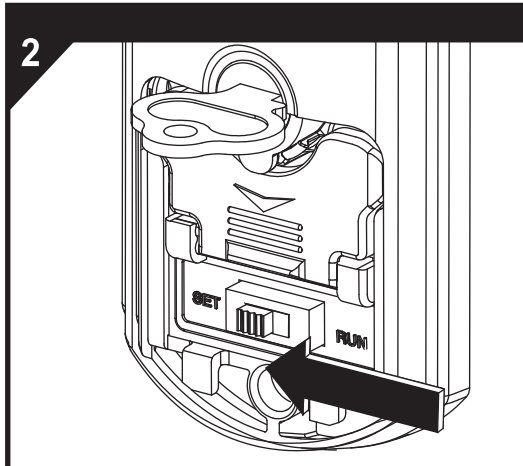
Your Nexion Keyless Entry lockset is pre-programmed to respond to the two Q-Keys that are supplied with it. The lockset will only need to be reprogrammed when adding or replacing Q-Keys.

When you add additional Q-keys all Q-Keys must be present and reprogrammed to operate the lockset as once the first Q-Key is stored in the locksets memory all other Q-Keys are erased.

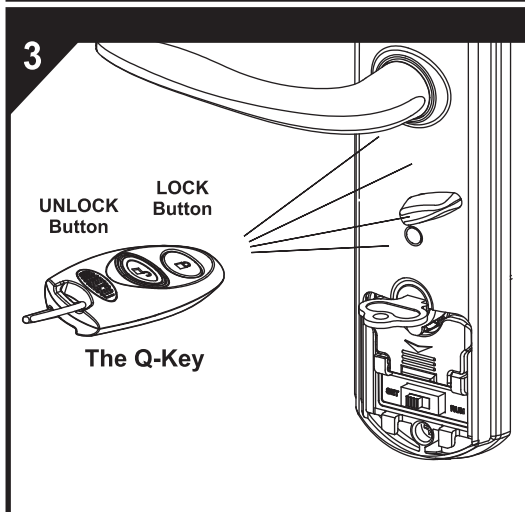
5043M 0508



- Remove the Access Cover by inserting the key into the inside cylinder, rotating the key 90 to the horizontal position, then carefully sliding the cover down.
- For the Nexion Egress version (ie:- version with no internal key), simply slide down the Battery Access Cover, no key rotation is required.



- Slide the mode switch from the 'RUN' position to the 'SET' position. There will be a single beep and a red flash.



IMPORTANT: Once the first Q-Key is stored, all existing Q-Keys will be erased from the lockset's memory. All Q-Keys required to operate the lockset must be present when programming.

4 **STORING THE Q-KEYS**

- Ensure the Q-Key is within 1 metre of the lockset and press the 'LOCK' button. There will be one short beep and one long beep accompanied by GREEN flashes. This will indicate the memory in the lockset has been cleared and the first Q-Key has been stored.
- To confirm the Q-Key, press the 'LOCK' button again. The lockset will confirm that the Q-Key is functional and has been stored correctly by giving one short beep accompanied by a GREEN flash. *If the lockset gives five short beeps accompanied by RED flashes, the Q-Key has not been stored correctly (see Trouble Shooting).*
- Repeat the above steps for each Q-Key required, a maximum of 20 Q-Keys can be stored in any one lockset. If, after attempting to store a Q-Key the lockset gives five short beeps accompanied by YELLOW flashes, the maximum 20 Q-Keys have already been successfully stored.
- When all Q-Keys have been stored, slide the mode switch from the 'SET' position back to the 'RUN' position, there will be two beeps accompanied by green flashes. Replace the cover and remove the key.